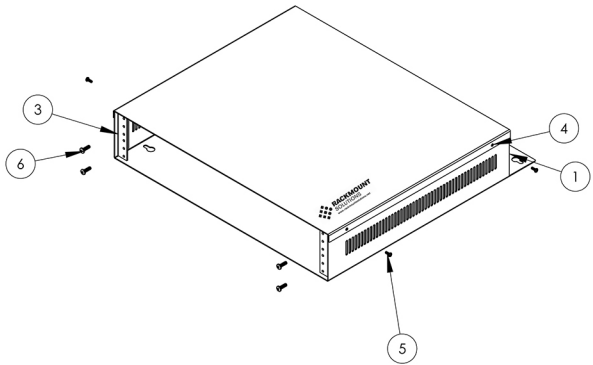
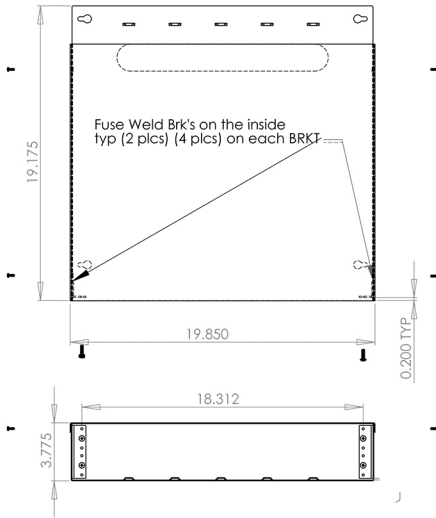


ITEM NO.	PART NUMBER	DESCRIPTION	QTY.
1	2RU Bottom		1
2	CLS-632-2	Nuts - Types S, SS, CLS, CLSS, CLA	4
3	2RU Mount Brkt		2
4	SPM Cover		1
5	91249A146	6-32x.375 Black Oxide, PPH Screw	4
6		Black-Oxide Fhsh Pan Head Phil Machine Screw 12-24 Thread, 5/8" long	4
7	Single Lance 399212-40	Bridge Lance .157 ID to OD .394 Flat	5



Dim's not on this dwg are controlled by the cad file

PROPRIETARY AND CONFIDENTIAL
 THE INFORMATION CONTAINED IN THIS DRAWING IS THE SOLE PROPERTY OF Rackmount Solutions, Inc. ANY REPRODUCTION IN PART OR AS A WHOLE WITHOUT THE WRITTEN PERMISSION OF Rackmount Solutions, Inc. IS PROHIBITED.

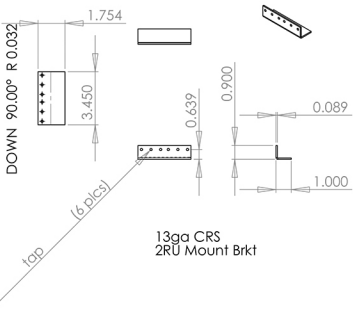
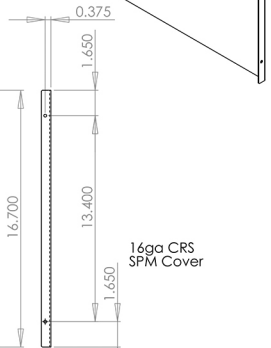
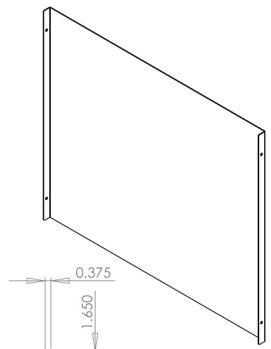
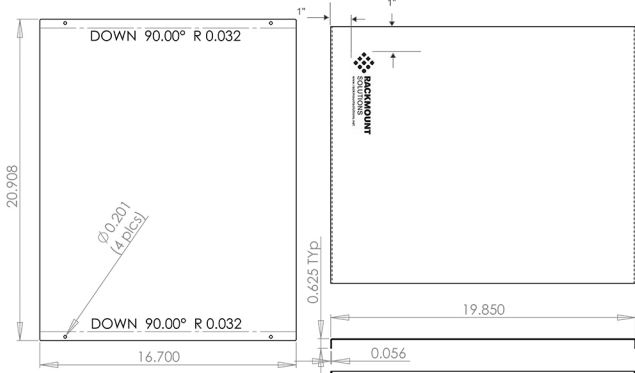
UNLESS OTHERWISE SPECIFIED:		NAME	DATE
DIMENSIONS ARE IN INCHES		kc	2/18/10
TOLERANCES:			
FRACTIONAL ±		CHECKED	
ANGULAR: MACH ± BEND ±1°		ENG APPR.	
TWO PLACE DECIMAL ± .020		MFG APPR.	
THREE PLACE DECIMAL ± .010		Q.A.	
INTERPRET GEOMETRIC TOLERANCING PER:		COMMENTS:	
MATERIAL: 16 ga CRS			
FINISH: Black Mini Tex			
NEXT ASSY	USED ON		
APPLICATION		DO NOT SCALE DRAWING	

Rackmount Solutions

TITLE: **SWPM-2U**

SIZE DWG. NO. REV
B SWPM-2U 0

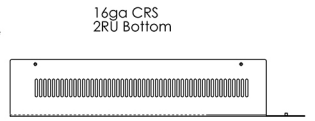
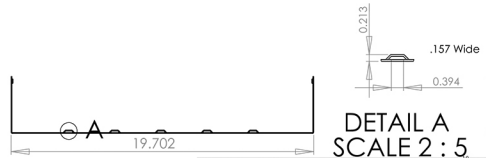
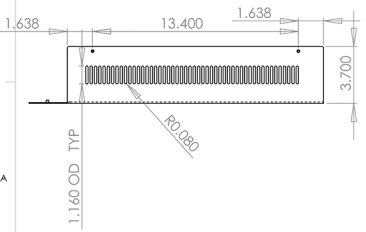
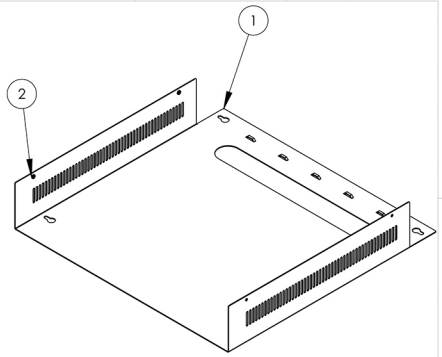
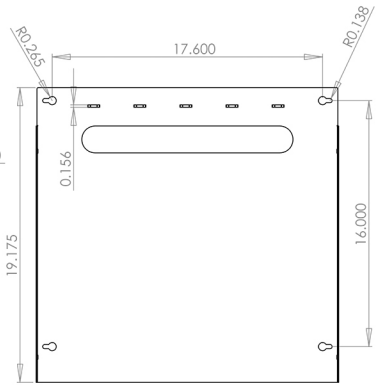
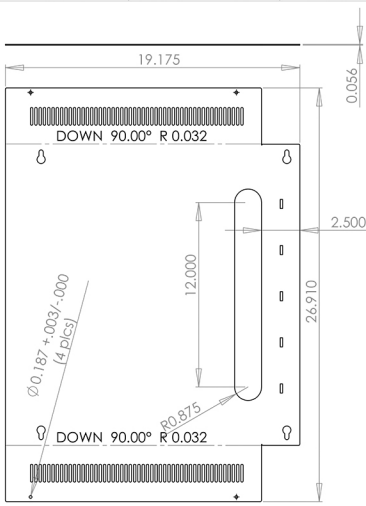
SCALE: 1:10 WEIGHT: SHEET 1 OF 3



16ga CRS
SPM Cover

PROPRIETARY AND CONFIDENTIAL
THE INFORMATION CONTAINED IN THIS DRAWING IS THE SOLE PROPERTY OF Rackmount Solutions, Inc. ANY REPRODUCTION IN PART OR AS A WHOLE WITHOUT THE WRITTEN PERMISSION OF Rackmount Solutions, Inc. IS PROHIBITED.

UNLESS OTHERWISE SPECIFIED:		NAME	DATE
DIMENSIONS ARE IN INCHES			
TOLERANCES:		DRAWN	
FRACTIONAL ±		CHECKED	
ANGULAR: MACH ± BEND ± 1°		ENG APPR.	
TWO PLACE DECIMAL ± .020		MFG APPR.	
THREE PLACE DECIMAL ± .010		Q.A.	
INTERPRET GEOMETRIC TOLERANCING PER:		COMMENTS:	
MATERIAL			
FINISH			
Black Mini Tex			
DO NOT SCALE DRAWING			
NEXT ASSY	USED ON	TITLE	
APPLICATION		Rackmount Solutions	
		SWPM-2U	
		SIZE	DWG. NO.
		B	SWPM-2U
		SCALE: 1:10	WEIGHT:
		REV	0
		SHEET 2 OF 3	



DETAIL A
SCALE 2 : 5

16ga CRS
2RU Bottom

.157 Wide

0.394

0.213

PROPRIETARY AND CONFIDENTIAL
THE INFORMATION CONTAINED IN THIS DRAWING IS THE SOLE PROPERTY OF Rackmount Solutions, Inc. ANY REPRODUCTION IN PART OR AS A WHOLE WITHOUT THE WRITTEN PERMISSION OF Rackmount Solutions, Inc. IS PROHIBITED.

NAME	DATE
DRAWN	
CHECKED	
ENG APPR.	
MFG APPR.	
G.A.	
COMMENTS:	

UNLESS OTHERWISE SPECIFIED:
DIMENSIONS ARE IN INCHES
FRACTIONAL ±
ANGULAR: MACH ± BEND ±1°
TWO PLACE DECIMAL ± .020
THREE PLACE DECIMAL ± .010
INTERPRET GEOMETRIC TOLERANCING PER:
MATERIAL: 16ga CRS
FINISH: Black Mini Tex
DO NOT SCALE DRAWING

APPLICATION	USED ON
NEXT ASSY	

Rackmount Solutions		
TITLE: SWPM-2U		
SIZE: B	DWG. NO.: SWPM-2U	REV: 0
SCALE: 1:10		WEIGHT:
SHEET 3 OF 3		